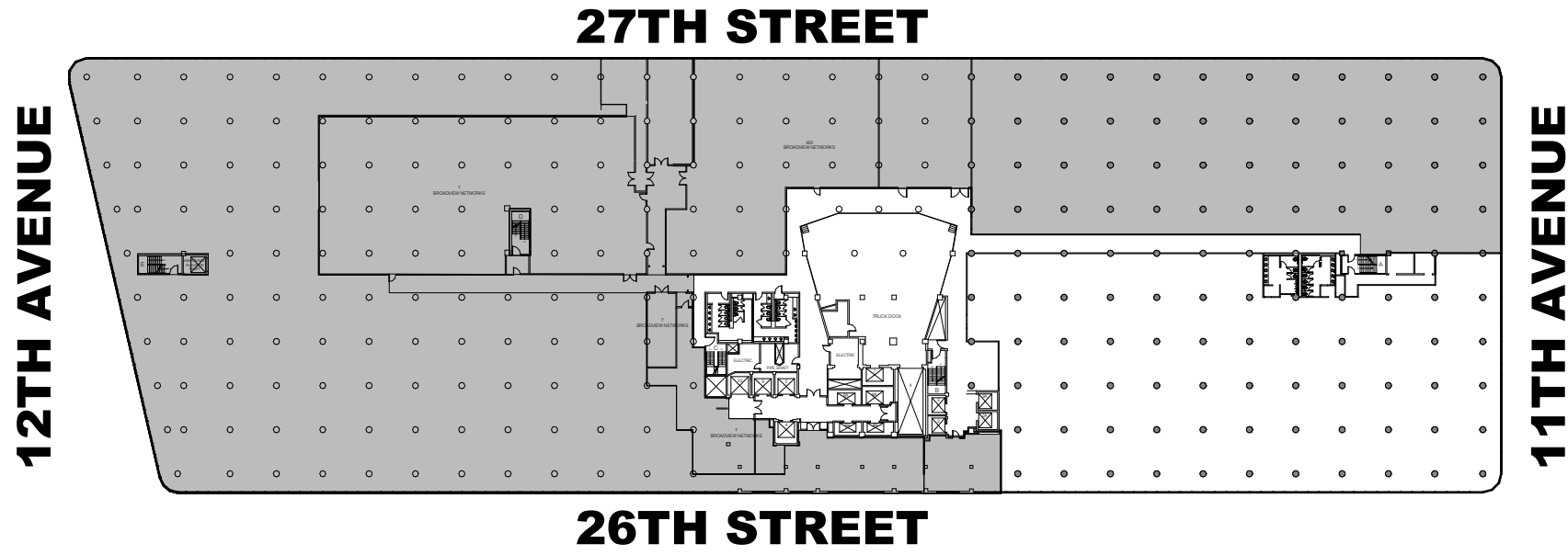
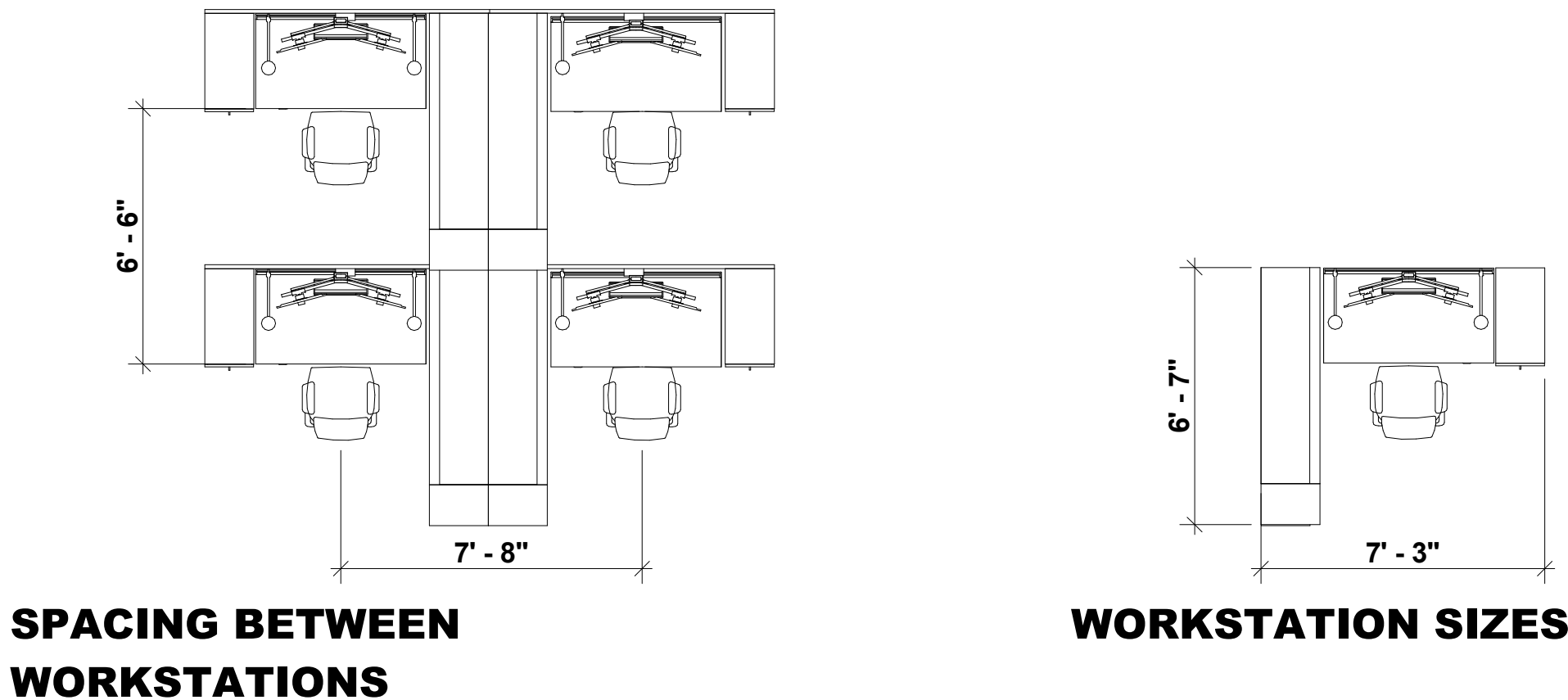


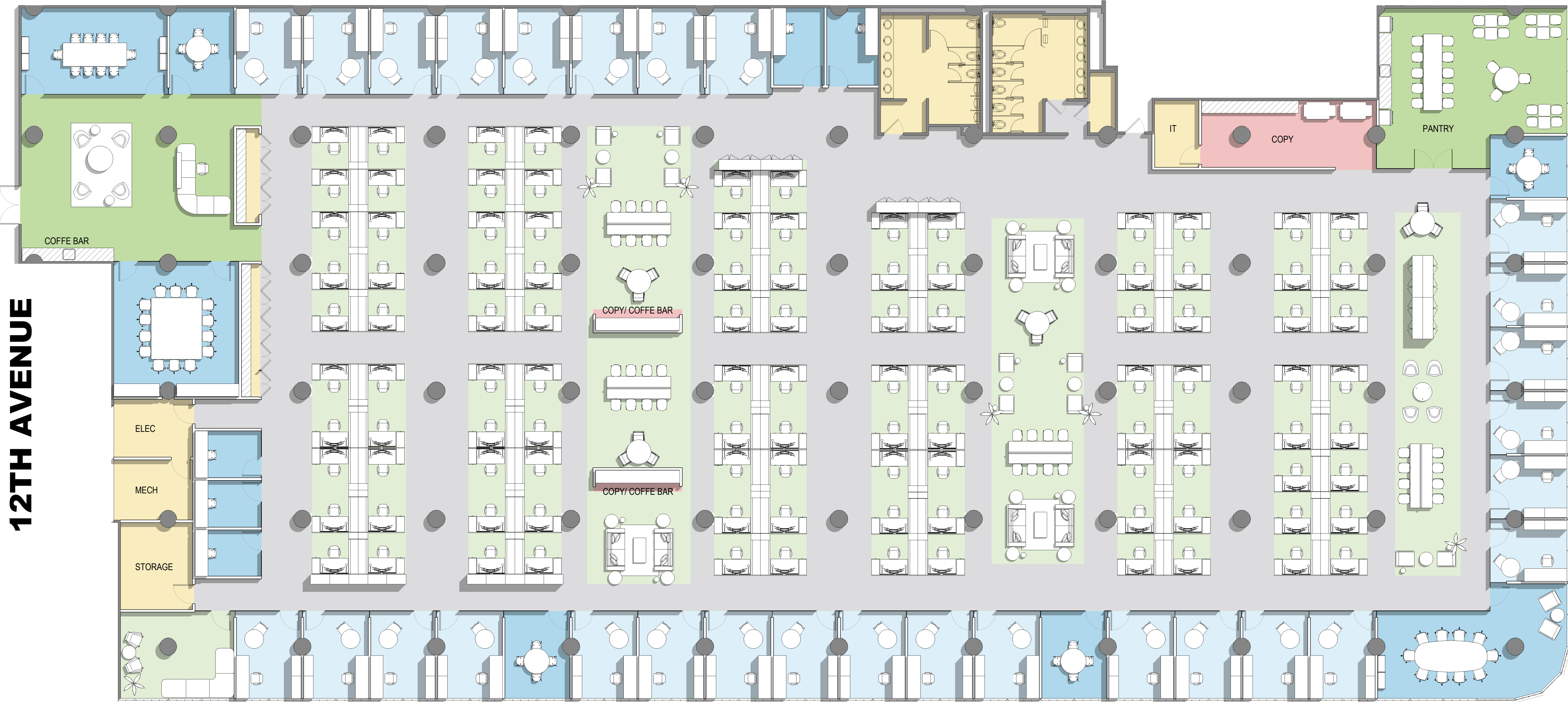
# MARKETING SUITE 405 - LEVEL 04



**KEY PLAN**



## WEST 27TH STREET



## WEST 26TH STREET

HEADCOUNT - SUITE 405		QTY
PRIVATE OFFICE		29
WORKSTATIONS		106
RECEPTION		1
<b>TOTAL</b>		<b>136</b>
<b>TOTAL RSF</b>		<b>38,272</b>

MEETING & SUPPORT SPACES - SUITE 405		QTY
CONFERENCE ROOM (10P+)		2
CONFERENCE ROOM (8P+)		1
Huddle Room		4
PHONE ROOM		5
PANTRY		1
RECEPTION		1
COFFEE BAR		1
COPY-PRINT		3
BREAKOUT - LOUNGE AREA		4
IT ROOM		1
MECHANICAL ROOM		1
ELECTRICAL ROOM		1
STORAGE ROOM		1